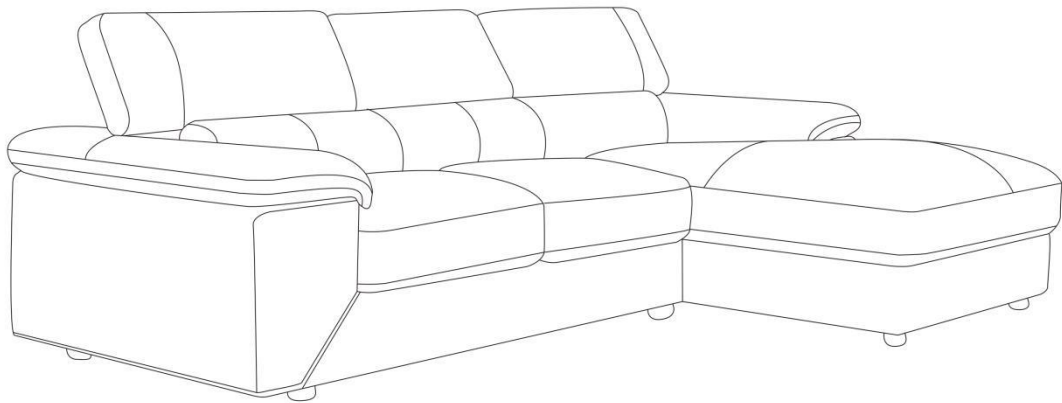
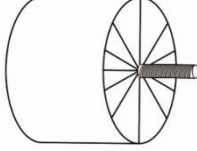




LONDON

1310_76428/1310_78794/1310_78686/1310_76426



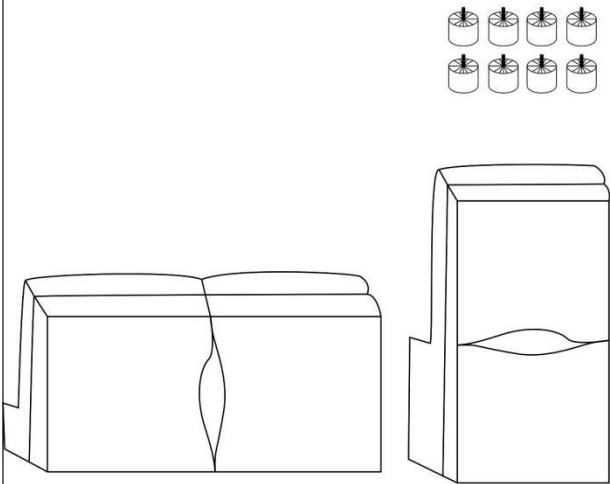
\

| | | | | |
|----------------------------|---|------------------|-----|-------------|
| 1310_76428/ 1310_78794/ | | | | |
| A |  | 50 mm | X 8 | 1/2 AND 2/2 |
| B |  | 166 X 100 X 65cm | X1 | 1/2 |
| C |  | 103 X165 X65 | X1 | 2/2 |

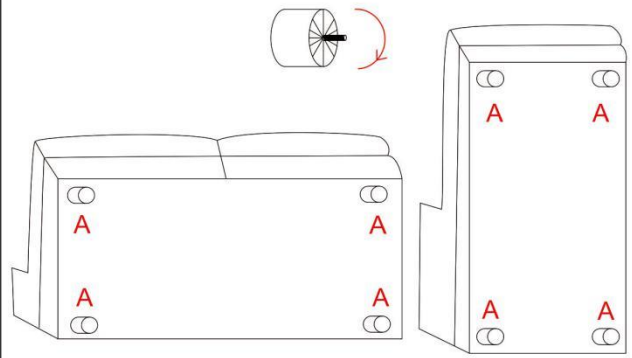
FR : SAV/INFORMATION /VIDEO/CONTACT
 EN: AFTER-SALES SERVICE/INFORMATION/VIDEO/CONTACT
 DE : REPARATUR-SERVICE UND ERSATZTEILE /INFORMATIONEN /VIDEO/KONTAKT
 ES: SERVICIO POST-VENTA/INFORMACIÓN/VIDEO/CONTACTO
 IT: SERVIZIO ASSISTENZA/INFORMAZIONI/VIDEO/CONTATTO
 PT: SERVIÇO PÓS-VENDA/INFORMAÇÕES/VIDEO/CONTATO
 PL: SERWIS TECHNICZNY/INFORMACJE/WIDEO/KONTAKT
 NE: AFTER SALES SERVICE/INFORMATIE/VIDEO/CONTACT
 HE: לתקשר עם/הווידיאו/ מידע/לאחר שירות ומכירת

SAV.HABITATETJARDIN.COM

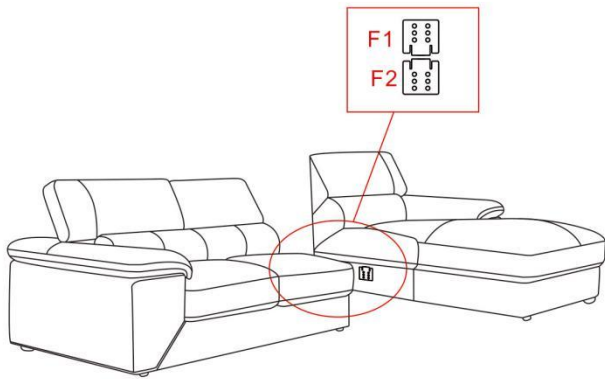
1



2



3



4

